

→ Series 2183

■ SUITABLE FOR

| | | |
|------------------------|-------------------------|---|
| Liquids | neutral and non-neutral |  |
| Air, gases and vapours | neutral and non-neutral |  |



■ EXAMPLES OF USE

Dirt trap in straight-through form for use on cryogenic tanks, cryogenic containers, transport containers and systems for the production, storage and transport of cryogenic liquefied gases such as LIN, LOX, CO₂, LAr, LNG.

- N₂ in pharmaceutical / foodstuffs applications
- O₂ for medical supply equipment
- CO₂ for foodstuffs/ industrial applications
- LAr for welding
- Cooling plants

The fittings are always manufactured free of oil and grease.



■ MATERIAL



■ SPECIFICATION



DN 10 - DN 50



-196°C to +120°C



PN 63

■ APPROVALS

EU type examination

TR ZU 032/2013 - TR ZU 010/2011

Requirements

DGR 2014/68/EU

■ MATERIAL

| Component | Material | DIN EN | ASME |
|--------------------------|-----------------|-----------------|-------------|
| Body | Gunmetal | CC499K | CC499K |
| Valve upper section | Stainless steel | 1.4408 / 1.4404 | CF8M / 316L |
| Screws | Stainless steel | 1.4301 | 304 |
| Seal valve upper section | PTFE mod. | PTFE mod. | PTFE mod. |
| Strainer | Stainless steel | 1.4301 | 304 |

| | | |
|----------|----------|-----------------------------------|
| s | Standard | for neutral and non-neutral media |
|----------|----------|-----------------------------------|

■ MEDIUM

| | | |
|-----------|--------------------|---|
| GF | gaseous and liquid | Cryogenic liquified gases, vapours and liquids, for gaseous oxygen maximum 40 bar / maximum 60 C |
|-----------|--------------------|---|

■ MESH SIZE STRAINER

| | | |
|------------|------------------------------|--|
| 025 | Mesh size 250µm (standard) | |
| 010 | Mesh size 100µm (on request) | |

■ MATERIAL STRAINER

| | Material | DIN EN | ASME |
|-----------|-----------------|--------|------|
| 01 | stainless steel | 1.4301 | 304 |

other materials available on request.

■ AVAILABLE NOMINAL DIAMETERS AND CONNECTION SIZES

| Nominal diameter DN | 10 | 15 | 20 | 25 | 32 | 40 | 50 |
|---------------------|-------------|-----------|-----------|---------|-------------|-------------|---------|
| Inlet | 3/8" (10) | 1/2" (15) | 3/4" (20) | 1" (25) | 1 1/4" (32) | 1 1/2" (40) | 2" (50) |
| Outlet | 3/8" (10) | ■ | | | | | |
| | 1/2" (15) | | ■ | | | | |
| | 3/4" (20) | | | ■ | | | |
| | 1" (25) | | | | ■ | | |
| | 1 1/4" (32) | | | | | ■ | |
| | 1 1/2" (40) | | | | | | ■ |
| | 2" (50) | | | | | | |

■ TYPE OF CONNECTION INLET / OUTLET

| | | |
|------------------------|---|-------------------------------------|
| LM1 / LM1 | soldering socket LM1 / soldering socket LM1 | DIN EN ISO 1127 / DIN EN ISO 1127 |
| LM2 / LM2 | soldering socket LM2 / soldering socket LM2 | ASTM A312 S10 / ASTM A312 S10 |
| LM3 / LM3 | soldering socket LM3 / soldering socket LM3 | ASTM A312 S40 / ASTM A312 S40 |
| LM4 / LM4 | soldering socket LM4 / soldering socket LM4 | DIN EN 12449 / DIN EN 12449 |
| f / f | female thread BSP-P / female thread BSP-P | DIN EN ISO 228-1 / DIN EN ISO 228-1 |
| NPTF-f / NPTF-f | female thread NPTF-f / female thread NPTF-f | ANSI B1.20.3 / ANSI B1.20.3 |

* Threaded connection and other connections on request.

■ DIMENSIONS AND ORDERING CODE FOR PIPE CONNECTIONS

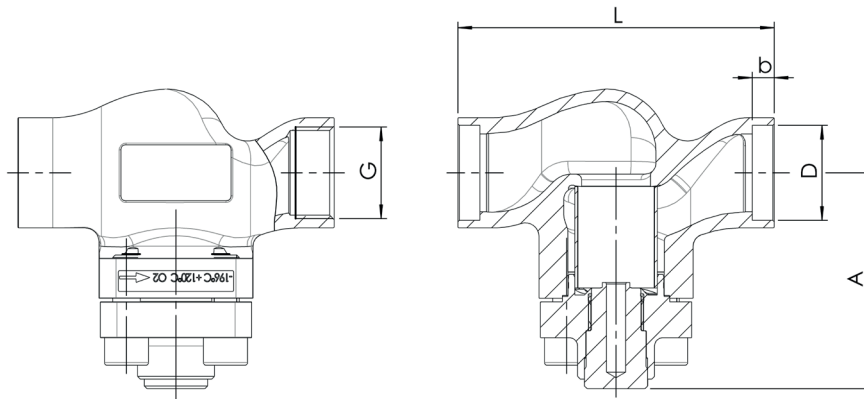
| Nominal diameter | DN | 10* | 15* | 20* | 25 | 32* | 40 | 50* |
|--|----|-------|-------|-------|-------|-------|-------|-------|
| Connection type for pipes according to DIN EN ISO 1127 | D | 17,2 | 21,3 | 26,9 | 33,7 | 42,4 | 48,3 | 60,3 |
| Dimensions for soldering socket LM1 / soldering socket LM1 | e | 2,3 | 2,6 | 2,9 | 3,2 | 3,2 | 3,6 | 3,6 |
| Order code XX | | CK | CL | CM | BN | CN | CO | CP |
| Connection type for pipes according to ASTM A312 S10 | D | 17,15 | 21,34 | 26,67 | 33,40 | 42,16 | 48,26 | 60,33 |
| Dimensions for soldering socket LM2 / soldering socket LM2 | e | 1,65 | 2,11 | 2,11 | 2,77 | 2,77 | 2,77 | 2,77 |
| Order code XX | | AS | AU | AW | AY | BA | BC | BE |
| Connection type for pipes according to ASTM A312 S40 | D | 17,15 | 21,34 | 26,67 | 33,40 | 42,16 | 48,26 | 60,33 |
| Dimensions for soldering socket LM3 / soldering socket LM3 | e | 2,31 | 2,77 | 2,87 | 3,38 | 3,56 | 3,68 | 3,91 |
| Order code XX | | AT | AV | AX | AZ | BB | BD | BF |
| Connection type for pipes according to DIN EN 12449 | D | 12 | 15 | 18 | 22 | 28,00 | 35 | 42,00 |
| Dimensions for soldering socket LM4 / soldering socket LM4 | e | 1 | 1,5 | 1,5 | 1,5 | 1,50 | 1,50 | 2 |
| Order code XX | | AA | AC | BH | BI | BJ | BK | BL |

* Available from 2023.

■ NOMINAL DIAMETERS, CONNECTIONS, INSTALLATION DIMENSIONS

| Series 2183: Connection, installation dimensions | | | | | | | | | |
|--|-------------------|-----|-----|------|------|------|-------|-------|---|
| Nominal diameter | DN | 10 | 15 | 20 | 25 | 32 | 40 | 50 | |
| Pressure level | PN | 63 | 63 | 63 | 63 | 63 | 63 | 63 | |
| Operating pressure | bar | 63 | 63 | 63 | 63 | 63 | 63 | 63 | |
| Threaded connection | G | 1/4 | 3/8 | 1/2 | 3/4 | 1 | 1 1/4 | 1 1/2 | 2 |
| Installation dimensions in mm | L | 60 | 85 | 85 | 115 | 115 | 140 | 160 | |
| | b | 6 | 6 | 8 | 8 | 10 | 13 | 20 | |
| | A | 75 | 77 | 74,5 | 79 | 106 | 104 | 106,5 | |
| Weight | kg | 0,7 | 0,9 | 1,2 | 1,4 | 2,2 | 3,1 | 4,7 | |
| Kvs-value | m ³ /h | 1,6 | 3,6 | 6,5 | 10,2 | 14 | 19,2 | 31 | |
| Cv-value | gal/min | 1,9 | 4,2 | 7,6 | 11,9 | 16,3 | 22,4 | 36,1 | |

■ MAIN DIMENSIONS, INSTALLATION DIMENSIONS



Series 2183 ■ INDIVIDUAL SELECTION / VALVE CONFIGURATION

| Series | Valve version | Medium | Mesh size strainer | Material strainer | Nominal diameter DN | Connection type | | Connection size |
|--------|---------------|--------|--------------------|-------------------|---------------------|-----------------|---------|-----------------|
| | | | | | | Inlet | Outlet | Inlet / Outlet |
| 2183 | s | GF | 025 | 01 | 25 | LM4/LM4 | LM4/LM4 | BJ/BJ |
| 2183 | s | GF | 016 | 01 | 40 | f | f | 40/40 |
| 2183 | | | | | | | | |
| 2183 | | | | | | | | |

■ CERTIFICATES / APPROVALS

| | | | | | |
|------------|---|--------------------------|------------|--|--------------------------|
| C01 | Factory certificate acc. DIN EN 10204 2.2 (WKZ 2.2) | <input type="checkbox"/> | C06 | ATEX evaluation acc. to 2014/34/EU | <input type="checkbox"/> |
| C02 | Test certificate acc. DIN EN 10204 3.1 (WPZ 3.1) | <input type="checkbox"/> | C11 | Certification of the production process especially for gaseous oxygen applications by employment of specific materials | <input type="checkbox"/> |
| C03 | Material test certificate acc. DIN EN 10204 3.1 (MPZ 3.1) (pressure retaining part) | <input type="checkbox"/> | | | <input type="checkbox"/> |

■ ADMISSIONS / ACCREDITATIONS

| | | | | |
|------------|--|--------------------------|--|--------------------------|
| AA1 | EC Type examination acc. to Directive 2014/68/EU | <input type="checkbox"/> | | <input type="checkbox"/> |
| AA4 | EAC - certificate/declaration with passport for the valve and laser marking of the valve | <input type="checkbox"/> | | <input type="checkbox"/> |
| | | <input type="checkbox"/> | | <input type="checkbox"/> |

■ ENQUIRY

Copy and send to: order@goetze-armaturen.de.

Order form easily to be found online under the section for each series.