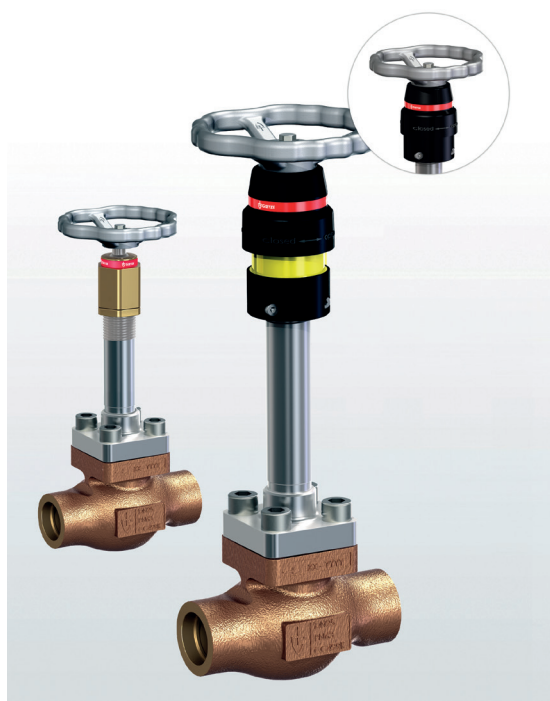


## → Series 2180



## ■ MATERIAL



## ■ SPECIFICATION



DN 10 – DN 50    -196°C to +120°C

PN 63

## ■ SUITABLE FOR

Liquids	neutral and non-neutral	
Air, gases and vapours	neutral and non-neutral	

## ■ EXAMPLES OF USE

Shut-off valve with position indicator in straight-through form for use on cryogenic tanks, cryogenic containers, transport containers and systems for the production, storage and transport of cryogenic liquefied gases such as LIN, LOX, CO<sub>2</sub>, LAr, LNG. Due to the standard position indicator, the stroke position / position can be immediately recognised via the yellow visual indicator of the manual actuator. The shut-off valve can also be designed with an integrated non-return function.

- N<sub>2</sub> in pharmaceutical / foodstuffs applications
- O<sub>2</sub> for medical supply equipment
- CO<sub>2</sub> for foodstuffs/ industrial applications
- LAr for welding
- Cooling plants

**The pressure regulators are always manufactured free of oil and grease.**

## ■ APPROVALS

## EU type examination

TR ZU 032/2013 - TR ZU 010/2011

## Requirements

DGR 2014/68/EU  
DIN EN 1626  
TPED 2010/35/EU

## ■ MATERIAL

Component	Material	DIN EN	ASME
Body	Gunmetal	CC499K	CC499K
Valve upper section	Stainless steel	1.4408	CF8M
Extension tube	Stainless steel	1.4404	316L
Threaded bush	Tin bronze	CW459K	C52100
Valve cone	Brass	CW617N	CW617N
Screws	Stainless steel	1.4301	304
Hand wheel	Stainless steel	1.4408	CF8M
Seals	PTFE mod.	PTFE mod.	PTFE mod.
Position indicator	Plastic	PA glass fibre reinforced	PA glass fibre reinforced
Compression spring*	Stainless steel	1.4310	302
Cone guide*	Stainless steel	1.4404	316L

\* only with non-return function

<b>s</b>	Standard	for neutral and non-neutral media
<b>r</b>	with non-return function	for neutral and non-neutral media

■ MEDIUM

<b>GF</b>	gaseous and liquid	Cryogenic liquified gases, vapours and liquids, for gaseous oxygen maximum 40 bar / maximum 60 C
-----------	--------------------	---

■ TYPE OF OPERATION

<b>R</b>	manual operation with position indicator (standard)
<b>S</b>	manual operation without position indicator

■ AVAILABLE NOMINAL DIAMETERS AND CONNECTION SIZES

Nominal diameter DN	10	15	20	25	32	40	50
<b>Inlet</b>	10	15	20	25	32	40	50
<b>Outlet</b>	10	■					
	15		■				
	20			■			
	25				■		
	32					■	
	40						■
	50						

■ INITIATIVE HEIGHT

<b>A1</b>	190mm (DN25) / 220mm (DN40)	Upper section without extension (short version)
<b>A2</b>	270 mm	Stainless steel extension tube
<b>A3</b>	370 mm	Stainless steel extension tube

NOTE: Dimensions A1 - A3 with valve closed. Please select a initiative height that does not cause icing on the spindle seal. | Further initiative heights on request.

■ TYPE OF CONNECTION INLET / OUTLET

<b>LM1 / LM1</b>	soldering socket LM1 / soldering socket LM1	DIN EN ISO 1127 / DIN EN ISO 1127
<b>LM2 / LM2</b>	soldering socket LM2 / soldering socket LM2	ASTM A312 S10 / ASTM A312 S10
<b>LM3 / LM3</b>	soldering socket LM3 / soldering socket LM3	ASTM A312 S40 / ASTM A312 S40
<b>LM4 / LM4</b>	soldering socket LM4 / soldering socket LM4	DIN EN 12449 / DIN EN 12449
<b>f / f</b>	female thread BSP-P / female thread BSP-P	DIN EN ISO 228-1 / DIN EN ISO 228-1
<b>NPTF-f / NPTF-f</b>	female thread NPTF-f / female thread NPTF-f	ANSI B1.20.3 / ANSI B1.20.3

\* Threaded connection and other connections on request.

■ DIMENSIONS AND ORDERING CODE FOR PIPE CONNECTIONS

Nominal diameter	DN	10*	15*	20*	25	32*	40	50*
Connection type for pipes according to DIN EN ISO 1127	D	17,2	21,3	26,9	33,7	42,4	48,3	60,3
Dimensions for soldering socket <b>LM1</b> / soldering socket <b>LM1</b>	e	2,3	2,6	2,9	3,2	3,2	3,6	3,6
Order code <b>XX</b>		CK	CL	CM	BN	CN	CO	CP
Connection type for pipes according to ASTM A312 S10	D	17,15	21,34	26,67	33,40	42,16	48,26	60,33
Dimensions for soldering socket <b>LM2</b> / soldering socket <b>LM2</b>	e	1,65	2,11	2,11	2,77	2,77	2,77	2,77
Order code <b>XX</b>		AS	AU	AW	AY	BA	BC	BE
Connection type for pipes according to ASTM A312 S40	D	17,15	21,34	26,67	33,40	42,16	48,26	60,33
Dimensions for soldering socket <b>LM3</b> / soldering socket <b>LM3</b>	e	2,31	2,77	2,87	3,38	3,56	3,68	3,91
Order code <b>XX</b>		AT	AV	AX	AZ	BB	BD	BF
Connection type for pipes according to DIN EN 12449	D	12	15	18	22	28,00	35	42,00
Dimensions for soldering socket <b>LM4</b> / soldering socket <b>LM4</b>	e	1	1,5	1,5	1,5	1,50	1,50	2
Order code <b>XX</b>		AA	AC	BH	BI	BJ	BK	BL

\* Available from 2023.

■ SEALS

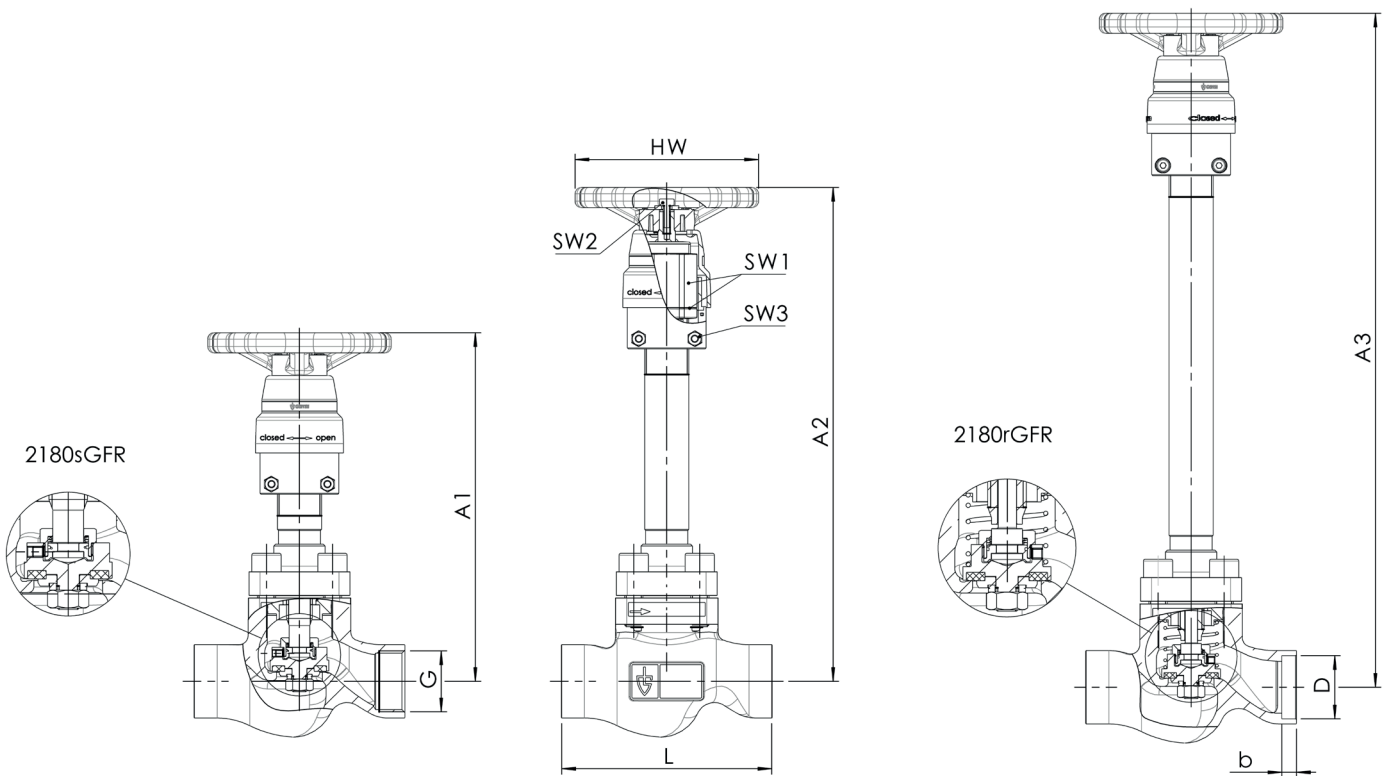
<b>PTFE</b>	Polytetrafluoroethylene	PTFE mod.	-196°C to +120°C
-------------	-------------------------	-----------	------------------

■ NOMINAL DIAMETERS, CONNECTIONS, INSTALLATION DIMENSIONS

Series 2180: Connection, installation dimensions									
Nominal diameter	DN	10	15	20	25	32	40	50	
Pressure level	PN	63	63	63	63	63	63	63	
Operating pressure	bar	63	63	63	63	63	63	50	
Threaded connection	G	¼	3/8	1/2	3/4	1	1 1/4	1 1/2	2
Installation dimensions in mm	L	60	85	85	115	115	140	160	
	b	6	6	8	8	10	13	20	
	A1*	202	204	205	206	237	241	242	
	A2*	282	284	285	286	287	291	292	
	A3*	382	384	385	386	387	391	392	
	HW	100	100	100	100	125	125	125	
	SW1	30	30	30	30	36	36	36	
SW2	8	8	8	8	13	13	13		
SW3	3	3	3	3	3	3	3		
Weight (hight A1)	kg	0,8	1,1	1,4	1,8	2,5	3,7	5,3	
Weight (hight A2)	kg	0,9	1,2	1,5	1,9	2,6	3,8	5,4	
Weight (hight A3)	kg	1,2	1,5	1,8	2,2	3,0	4,2	5,8	
Kvs-value	m³/h	1,6	4,4	6,8	11,5	12,2	22,0	40	
Cv-value	gal/min	1,9	5,1	7,9	13,4	14,2	25,9	46,4	

\* Dimensions A1 - A3 with valve open. Further initiativ heights on request.

■ MAIN DIMENSIONS, INSTALLATION DIMENSIONS



Series 2180 ■ INDIVIDUAL SELECTION / VALVE CONFIGURATION

Series	Valve version	Medium	Type of operation	Initiative Height	Nominal diameter DN	Connection type		Connection size	Seal
						Inlet	Outlet		
2180	s	GF	R	A1	25	LM4	LM4	BJ / BJ	PTFE
2180	r	GF	S	A2	40	f	f	40 / 40	PTFE
2180									
2180									

■ CERTIFICATES / APPROVALS

C01	Factory certificate acc. DIN EN 10204 2.2 (WKZ 2.2)	<input type="checkbox"/>	C11	Certification of the production process especially for gaseous oxygen applications by employment of specific materials	<input type="checkbox"/>
C02	Test certificate acc. DIN EN 10204 3.1 (WPZ 3.1)	<input type="checkbox"/>			<input type="checkbox"/>
C03	Material test certificate acc. DIN EN 10204 3.1 (MPZ 3.1) (pressure retaining part)	<input type="checkbox"/>			<input type="checkbox"/>
C06	ATEX evaluation acc. to 2014/34/EU	<input type="checkbox"/>			<input type="checkbox"/>

■ ADMISSIONS / ACCREDITATIONS

AA1	EC Type examination acc. to Directive 2014/68/EU	<input type="checkbox"/>			<input type="checkbox"/>
AA4	EAC - certificate/declaration with passport for the valve and laser marking of the valve	<input type="checkbox"/>			<input type="checkbox"/>
		<input type="checkbox"/>			<input type="checkbox"/>

■ ENQUIRY

Copy and send to: [order@goetze-armaturen.de](mailto:order@goetze-armaturen.de).

Order form easily to be found online under the section for each series.